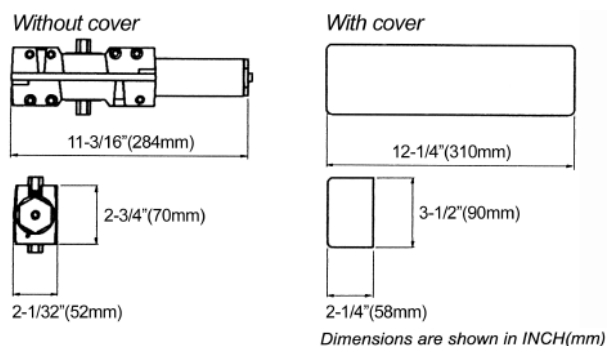


# 4500

## HEAVY DUTY MULTI-SIZE FULL FEATURE CLOSER SERIES

- Easy to install and superior engineering
- Complies with ANSI A156.4 Grade 1
- C-UL US listed
- ADA (Handicap) multi-sized closers with adjustable Spring Power for a range of sizes adjustable after installation
- Manufactured under ISO 9001 guidelines
- Tri-Style installation: Installs regular, parallel arm or top jamb
- Non-Handed, installs on either side of door
- Adjustable Sweep and Latch speeds, separate valves to adjust each speed
- Adjustable Back-check standard
- Adjustable Delayed Action Closing Option. Closers to be furnished with delayed action feature, suffix "DA" to catalog number
- Cover made of High Impact UL listed molded plastic full cover
- Power of closer can be adjusted to conform to the requirements of the Americans with Disabilities Act (ADA) and as outlined in ANSI A117.1 Specifications for Making Buildings and Facilities Accessible To and Usable By the Physically Handicapped
- Door Opening: regular arm 120°, parallel arm 180°, and top jamb 120°
- FINISHES: Steel Cover - Silver, Duro, Polished Stainless, Polished Brass  
Plastic Cover - Silver, Duro, Gold
- Lifetime Guarantee



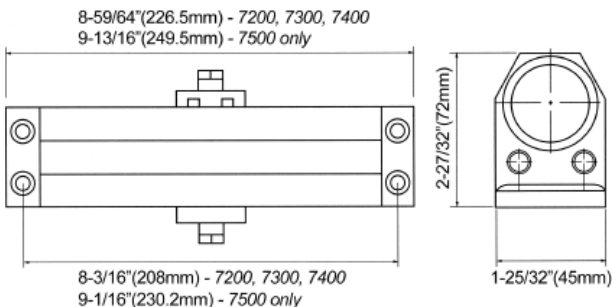
MODEL	CLOSER CONTROLS		
	Latching	Back-Check	Delayed Action
4500	●	●	
4500 DA	●	●	●

SIZE	MAXIMUM DOOR WIDTH WOOD OR METAL Inches(Meters)		APPLICABLE DOOR WEIGHT Lbs(kg)	POWER ADJUSTMENT Full 360° Clockwise Turns of Adjustment Nut
	INTERIOR DOOR	EXTERIOR DOOR		
1	32"(0.81m)	28"(0.71m)	33~66(15~30)	-6
2	36"(0.91m)	32"(0.81m)	66~99(30~45)	-3
3	42"(1.07m)	36"(0.91m)	99~143(45~65)	0
4	48"(1.22m)	42"(1.07m)	143~187(65~85)	3
5	54"(1.37m)	48"(1.22m)	187~264(85~120)	7
6	58"(1.47m)	52"(1.32m)	264~330(120~330)	12

# 7000

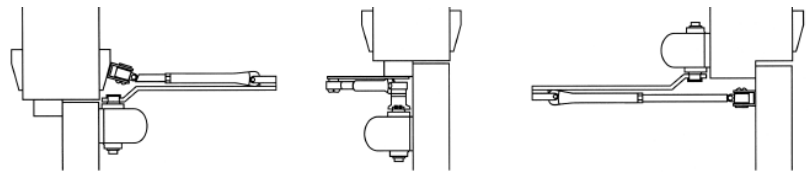
# STANDARD CLOSER SERIES

- Easy to install
- Superior engineering
- C-UL US listed
- Universal application as standard
- Two valve adjustment to incorporate closing and latching speed
- Non-Handed
- Needle bearing application (only for size 5)
- Cast aluminium body and corrosion-resistant
- Adjustable forearm
- Optional parallel arm bracket (P)
- Optional back-check cushioning (BC) (Except size 1 closer)
- Optional hold open arm
- Optional built-in hold open (only size 1 closer)
- Optional Drop Plate
- Optional decorative slim plastic cover
- Optional Tracked Arm
- STANDARD FINISHES: Silver, Dark Bronze, Gold
- OPTIONAL FINISHES: Various Colors (Black, White and etc.)
- 10 year Guarantee



Dimensions are shown in INCH(mm)

## Fitting Configuration



Configuration 1 - Projecting Arm Closer fitted to 'pull' side of door

Configuration 2 - Projecting Arm Closer fitted to 'push' side of door

Configuration 3 - Transom Fixed Closer fitted above door on 'push' side

SIZE	ITEM	MAXIMUM DOOR WIDTH REGULAR ARM Inches(Meters)		MAXIMUM DOOR WIDTH PARALLEL ARM Inches(Meters)		MAX DOOR WEIGHT Ref Lbs(kg)	CLOSING FORCE Nm(Kgf.m)
		INTERIOR DOOR	EXTERIOR DOOR	INTERIOR DOOR	EXTERIOR DOOR		
1	7100	32"(0.81m)	28"(0.71m)	28"(0.71m)	24"(0.61m)	33~66(15~30)	11(1.2)
2	7200	36"(0.91m)	32"(0.81m)	32"(0.81m)	28"(0.71m)	66~99(30~45)	21(2.2)
3	7300	42"(1.07m)	36"(0.91m)	36"(0.91m)	32"(0.81m)	99~143(45~65)	30(3.1)
4	7400	48"(1.22m)	42"(1.07m)	42"(1.07m)	36"(0.91m)	143~187(65~85)	36(3.7)
5	7500	54"(1.37m)	48"(1.22m)	48"(1.22m)	42"(1.07m)	187~264(85~120)	49(5.0)

# 7710

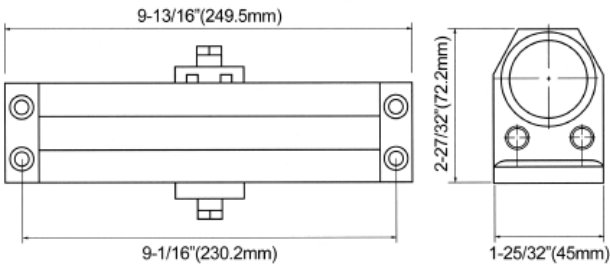
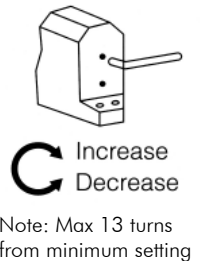
## POWER ADJUSTABLE CLOSER SERIES

- Easy to install
- Superior engineering
- C-UL US listed
- Power adjustable closer
- Standard: Size 2-5 / BF: Size 1-4
- Standard adjustable back-check or delayed action function
- Non-Handed
- Needle bearing application
- Standard plastic cover
- Standard PA bracket for tri-packed application
- Cast aluminium body and corrosion-resistant
- Optional polished brass / stainless steel finish with steel cover and arm
- Optional adjustable hold open arm
- Optional Drop Plate
- Optional Tracked Arm
- STANDARD FINISHES: Silver, Dark Bronze, Gold
- OPTIONAL FINISHES: Various Colors (US3 Polished Brass, US32 Polished Chrome, Black and etc.)
- 10 year Guarantee



Adjust spring tension according to the following chart

MODEL	CLOSER SIZE	FULL TURN OF SPRING ADJUSTING NUT
7710	2	0
	3	4
	4	8
	5	13



Dimensions are shown in INCH(mm)

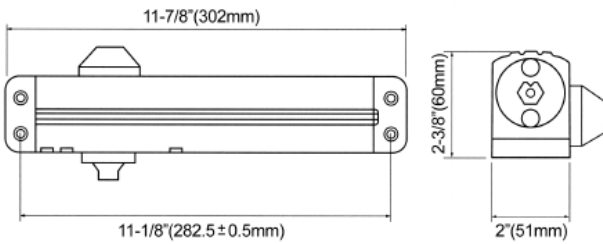
SIZE	ITEM	MAXIMUM DOOR WIDTH REGULAR ARM Inches(Meters)		MAXIMUM DOOR WIDTH PARALLEL ARM Inches(Meters)		MAX DOOR WEIGHT Ref Lbs(kg)	CLOSING FORCE Nm(Kgf.m)
		INTERIOR DOOR	EXTERIOR DOOR	INTERIOR DOOR	EXTERIOR DOOR		
2	7710	36\"(0.91m)	32\"(0.81m)	32\"(0.81m)	28\"(0.71m)	66~99(30~45)	21(2.2)
3	7710	42\"(1.07m)	36\"(0.91m)	36\"(0.91m)	32\"(0.81m)	99~143(45~65)	30(3.1)
4	7710	48\"(1.22m)	42\"(1.07m)	42\"(1.07m)	36\"(0.91m)	143~187(65~85)	36(3.7)
5	7710	54\"(1.37m)	48\"(1.22m)	48\"(1.22m)	42\"(1.07m)	187~264(85~120)	49(5.0)



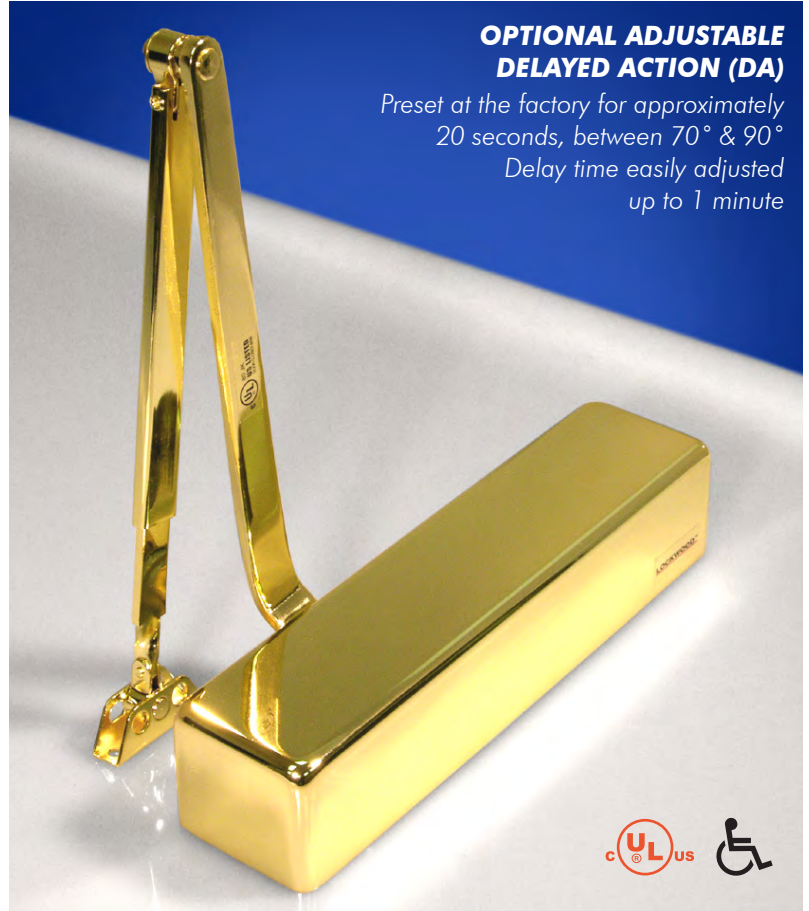
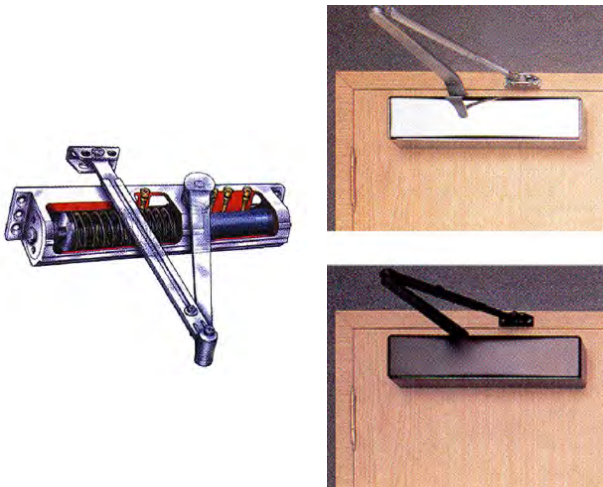
# 9000

## HEAVY DUTY POWER ADJUSTABLE CLOSER SERIES

- Easy to install
- Superior engineering
- C-UL US listed
- ANSI 156.4 Grade 1
- Power adjustable closer (Standard: Size 1-6)
- Standard adjustable back-check function
- Needle bearing application
- Efficiency over 70%
- Highly precise closer for high performance
- Standard plastic full cover
- Standard PA bracket for tri-packed application
- Optional polished brass / stainless steel cover and arm set
- Optional adjustable hold open arm
- Optional Cush-n stop arm
- Optional forged hold open arm
- Optional Tracked Arm
- FINISHES: Steel Cover - Silver, Duro, Polished Stainless, Polished Brass
- Plastic Cover - Silver, Duro, Gold
- 25 year Guarantee



Dimensions are shown in INCH(mm)



### OPTIONAL ADJUSTABLE DELAYED ACTION (DA)

Preset at the factory for approximately 20 seconds, between 70° & 90°  
 Delay time easily adjusted up to 1 minute



**9000 Series is fully adjustable for most door sizes, weights and operating conditions.**

MODEL	SIZE	BC (Back-Check)	DA (Delayed Action)
9000	1-6	●	
9000 DA	1-6	●	●

