

3000

CYLINDRICAL LEVERSET (KEY-IN-LEVER)

- Easy to install and superior engineering
- Meets ADA requirements; Designed for Barrier Free Application. Conforms with ANSI 156.2 Series 3000 Grade 1.
- For Doors 1-3/4" thick
- Reversible, non-handed
- High precision pick resistant 6 pin tumbler solid brass cylinder
- Interchangeable cylinders (Turn key one-quarter to remove and replace cylinder)
- Latchbolt is solid brass 1/2" throw for all keyed and non-keyed sets, UL listed, three hour fire rated for all functions
- Individual spring on each side to prevents lever sag, maintains reliability, reduces maintenance
- Cylindrical body with coil compression springs provides great strength and durability. Two side spindles supporting mechanism eliminates lever wobble
- Removable Thru-bolt
- Concealed screw mounting
- 1-1/4" x 4-7/8" A.S.A. strike standard, 1-1/8" x 2-3/4" T strike optional
- 2-3/4" Backset



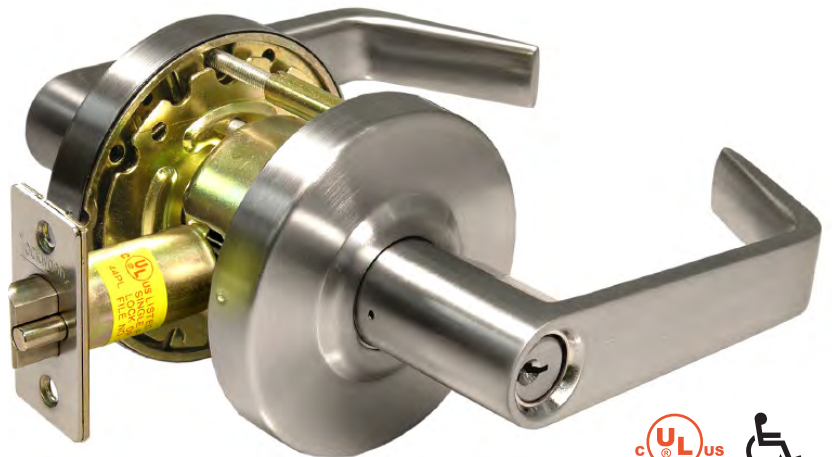
Heavy Duty 3000 Series Grade 1 Cylindrical Lock

- CL Series (clutch) available. Free turning handle in the locked position without opening door to deter breaking of the handle
- Over 26 Lockwood 6 pin keyways available; keyed alike, Master keyed, Grand Master Keyed and Construction Master keyed. Schlage "C" keyway available
- FINISHES: 3, 4, 10, 10B, 26, 26D

6000

CYLINDRICAL LEVERSET (KEY-IN-LEVER)

- Easy to install and superior engineering
- Meets ADA requirements; Designed for Barrier Free Application. Conforms with ANSI 156.2 Series 6000 Grade 2.
- For Doors 1-3/4" thick
- Reversible, non-handed
- High precision pick resistant 6 pin tumbler solid brass cylinder
- Interchangeable cylinders (Turn key one-quarter to remove and replace cylinder)
- Latchbolt is solid brass 1/2" throw for all keyed and non-keyed sets, UL listed, three hour fire rated for all functions
- Individual spring on each side to prevents lever sag, maintains reliability, reduces maintenance
- Cylindrical body with coil compression springs provides great strength and durability. Two side spindles supporting mechanism eliminates lever wobble
- Removable Thru-bolt
- Concealed screw mounting
- 1-1/4" x 4-7/8" A.S.A. strike standard, 1-1/8" x 2-3/4" T strike optional
- 2-3/4" Backset



Heavy Duty 6000 Series Grade 2 Cylindrical Lock

- CL Series (clutch) available. Free turning handle in the locked position without opening door to deter breaking of the handle
- Over 26 Lockwood 6 pin keyways available; keyed alike, Master keyed, Grand Master Keyed and Construction Master keyed. Schlage "C" keyway available
- FINISHES: 3, 4, 10, 10B, 26, 26D

8000

CYLINDRICAL LOCK SERIES (KEY-IN-LEVER)

- Easy to install and superior engineering
- Complies with ADA requirements; ideal for retrofit and new construction to meet today's building codes
- C-UL US listed for "A" labeled 3 hour wood and metal fire doors, and conforms with ANSI 156.2 Series 8000
- For Doors 1-3/8" or 1-3/4" thick
- Reversible, non-handed
- Cylinder is solid brass 6 pin
- Housing made of cold rolled steel plated with automotive grade Nickel or Zinc
- Latchbolt is solid brass 1/2" throw for all keyed and non-keyed sets, UL listed, three hour fire rated for all functions
- Levers work independently of each other; heavy duty spring mechanisms prevents lever sag
- Thru-bolts provide maximum strength to meet the most demanding applications
- 1-1/4" x 4-7/8" A.S.A. strike standard, 1-1/8" x 2-3/4" T strike optional
- 2-3/8", 2-3/4" Backset



Heavy Duty 8000 Series Grade 2 Cylindrical Lock

- Over 26 Lockwood 6 pin keyways available; keyed alike, Master keyed, Grand Master Keyed and Construction Master keyed. Schlage "C" keyway available
- FINISHES: 3, 4, 10, 10B, 26, 26D

EXIT DEVICES

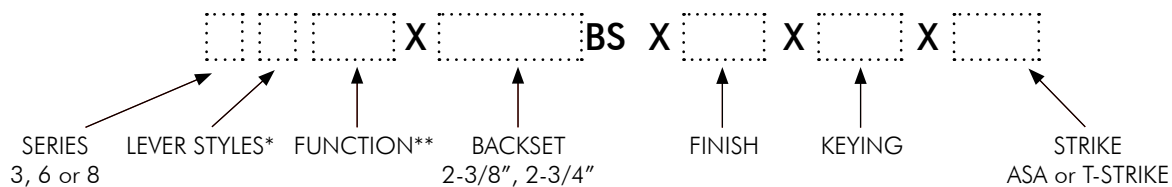
CLOSERS

LOCKS

29

How to Order

FOR 3000/6000/8000 SERIES



Example: 6308 x 2-3/8" BS x 3 x KD x ASA = 6000 Series, 300 Lever Styles, 08 Function with 2-3/8" Backset, Bright Brass finish, KD and ASA

* For lever styles, please refer to LEVER STYLES (see page 30). No Lever Styles for 8000 series, enter 0 for 8000 series.

** For lock functions, please refer to FUNCTIONS (see page 30).

DESCRIPTION OF FINISHES:	3 Bright Brass	10 Dull Bronze	26 Bright Chrome Plated
	4 Dull Brass	10B Statuary Bronze (Oil Rubbed)	26D Dull Chrome Plated
KEYING:	KA Keyed Alike	MK Master Keyed	CMK Construction Master Keyed
	KD Keyed Different	GMK Grand Master Keyed	

- 12 Leversets per carton, broken box quantity 15% extra
- 2 keys with each lever set
- Keyway: standard 1004A (6 Pin sectional additional cost)

HINGES

FLAT GOODS

MISCELLANEOUS

Lever Styles

FOR 3000/6000 SERIES



3100/6100
26 - Bright Chrome Plated



3200/6200
26D - Dull Chrome Plated



3300/6300
3 - Bright Brass



3400/6400
10B - Statuary Bronze (Oil Rubbed)



3500/6500
26 - Bright Chrome Plated



3600/6600
10 - Dull Bronze

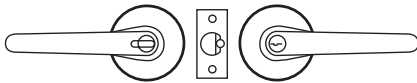
Functions

FOR 3000/6000/8000 SERIES

FUNCTION	INSIDE	OUTSIDE	FUNCTION DESCRIPTION
----------	--------	---------	----------------------

00

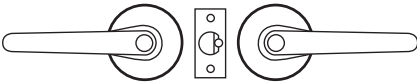
Entry Deadlatch



- Latchbolt operated by lever from either side
- Outside lever locked by push button from inside
- Unlocked by key from outside or rotating inside lever
- When outside lever locked by push and turn button from inside, key from outside or rotating inside lever retracts latch, does not unlock outside lever
- Deadlocking (guarded) latchbolt

01

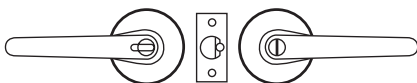
Passage Springlatch



- Latchbolt operated by lever from either side at all times
- Deadlocking (guarded) latchbolt

02

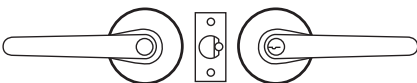
Privacy Springlatch



- Latchbolt operated by lever from either side
- Outside lever locked by push button from inside
- Unlocked by emergency release on outside, rotating inside lever, or closing door
- Deadlocking (guarded) latchbolt

06

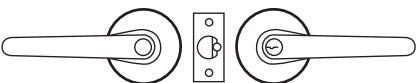
Classroom Springlatch



- Latchbolt operated by lever from either side
- Outside lever locked or unlocked by key from outside
- Inside lever always operates latch
- Deadlocking (guarded) latchbolt

08

Storeroom Deadlatch

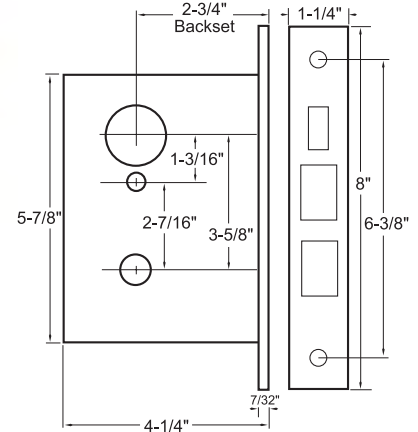


- Latchbolt operated by rotating inside lever or key in outside lever
- Outside lever always fixed
- Deadlocking (guarded) latchbolt

7100

HEAVY DUTY STAINLESS STEEL MORTISE LOCK SERIES

- Easy to install and superior engineering
- UL listed for doors rated up to and including 3 hour fire rating
- Conform to ANSI A156.13 Series 1000 Grade 1. This series comes standard as a complete stainless steel lockset; all parts, components, pins, fasteners, and springs are made of solid stainless steel
- Lock case is heavy gauge #304 stainless steel 5-7/8" x 4" x 15/16"
- Front is heavy gauge #304 stainless steel 8" x 1-1/4" x 7/32", adjustable to 1/8" in 2" bevel both ways
- Armored Front (Face Plate) is solid brass, solid bronze or #304 stainless steel
- Deadbolt is solid stainless steel 9/16" x 1-1/8" x 1 throw
- Latchbolt is solid stainless steel 5/8" x 1" x 3/4"
- Hubs are 5/16" solid stainless steel on a square; thumb turn hub 3/16" solid stainless steel
- Center to center lever to cylinder 3-5/8"; center to center lever to thumb turn 2-7/16"
- 2-3/4" Backset
- 4-7/8" x 1-1/4" ASA strike in solid brass, solid bronze or solid stainless steel

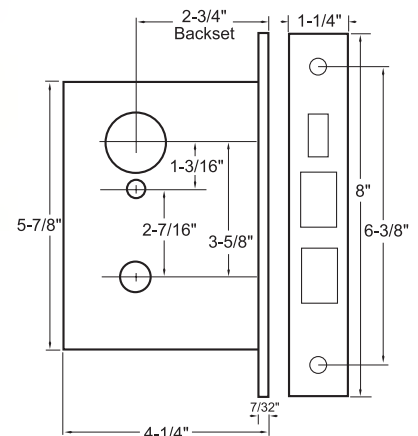


The 7100 is the only completely stainless steel mortise lock made in the USA

7500

HEAVY DUTY MILD STEEL MORTISE LOCK SERIES

- Easy to install and superior engineering
- UL listed for doors rated up to and including 3 hour fire rating
- Conform to ANSI A156.13 Series 1000 Grade 1
- Lock case is heavy gauge cold rolled steel plated 5-7/8" x 4" x 15/16"
- Front is heavy gauge cold rolled steel plate 8" x 1-1/4" x 7/32", adjustable from flat to 1/8" in 2" bevel both ways
- Armored Front (Face Plate) is solid brass, solid bronze or #304 stainless steel
- Deadbolt is solid stainless steel or forged brass 9/16" x 1-1/8" x 1 throw
- Latchbolt is forged brass or solid stainless steel 5/8" x 1" x 3/4"
- Hubs are 5/16" solid stainless steel or forged brass; thumb turn hub 3/16" solid stainless steel or forged brass
- Center to center lever to cylinder 3-5/8"; center to center lever to thumb turn 2-7/16"
- 2-3/4" Backset
- 4-7/8" x 1-1/4" ASA strike in solid brass, solid bronze or solid stainless steel



Functions

FOR 7100/7500 SERIES



SERIES	ANSI NUMBER	INSIDE	OUTSIDE	FUNCTION DESCRIPTION
7101 7501	F01			Passage or Closet Latch: Latchbolt operated by lever from either side at all times.
7104 7504	F04			Entry Lock: Latchbolt operated by lever from either side except when outside lever is made inoperative by a stop or mechanical means other than a key. When outside lever is locked latchbolt may be retracted by key from outside or by rotating inside lever. Auxiliary deadlatch.
7105 7505	F05			Classroom Lock: Latchbolt operated by lever from either side except when outside lever is locked from outside by key. When outside lever is locked, latchbolt may be retracted by key from outside or by rotating inside lever. Auxiliary deadlatch.
7107 7507	F07			Storeroom or Closet Lock: Latchbolt operated by key from outside or by rotating inside lever. Outside lever is always inoperative. Auxiliary deadlatch.
7109 7509	F09			Apartment, Exit or Public Toilet Lock: Latchbolt operated by lever from either side except when outside lever is locked by key from inside. When outside lever is locked, latchbolt may be retracted by key from outside or by rotating inside lever. Auxiliary deadlatch.
7111 7511	F11			Dormitory or Exit Lock: Latchbolt operated by lever from either side except when outside lever is made inoperative by a stop or mechanical means other than keys. Deadbolt projected by key from either side. Deadbolt retracted by key from the outside. Both bolts retracted by inside lever.
7112 7512	F12			Dormitory or Exit Lock: Latchbolt operated by lever from either side except when outside lever is made inoperative by a stop or mechanical means other than keys. Deadbolt projected by key from outside and by turn from inside. Deadbolt retracted by key from the outside. Both bolts retracted by inside lever.
7113 7513	F13			Dormitory or Exit Lock: Latchbolt operated by lever from either side. Deadbolt operated by key outside and thumb turn inside. Rotating inside lever retracts both bolts.
7114 7514	F14			Store Door Lock: Latchbolt operated by lever from either side. Deadbolt operated by key from either side.
7116 7516	F16			Deadlock: Deadbolt operated by key from either side.
7117 7517	F17			Deadlock: Deadbolt operated by key outside and by thumb turn inside.
7118 7518	F18			Deadlock: Deadbolt operated by key outside only.
7119 7519	F19			Privacy, Bedroom or Bath Lock: Latchbolt operated by lever from either side. Deadbolt operated by turn inside and emergency release from outside. Rotating inside lever retracts both bolts.
7120 7520	F20			Apartment Corridor Lock: Latchbolt operated by lever from either side except when locked by device inside. Deadbolt operated by turn inside, key outside. Both bolts retract by lever.

EXIT DEVICES

CLOSERS

LOCKS

32

HINGES

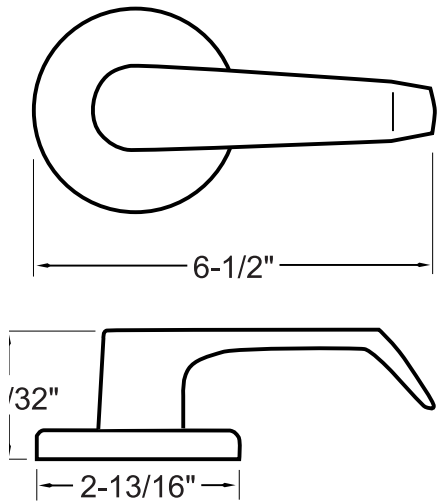
FLAT GOODS

MISCELLANEOUS

100

Sectional Trim

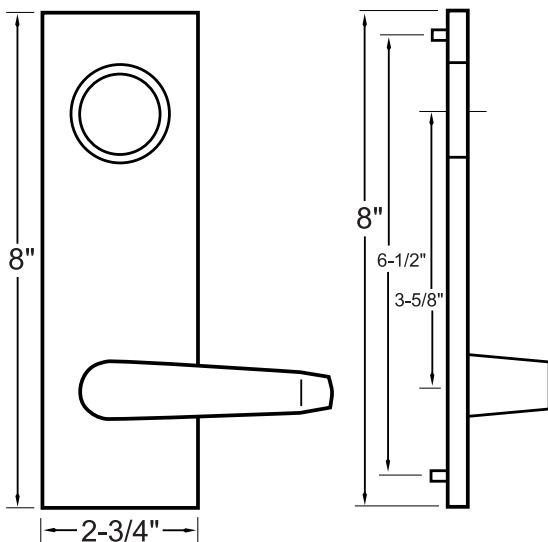
- Easy to install
- Superior engineering
- FINISHES: 3, 4, 5, 10, 10B, 15, 26, 26D



200

Escutcheon Trim

- Easy to install
- Superior engineering
- FINISHES: 3, 4, 10, 10B, 26, 26D, 32D

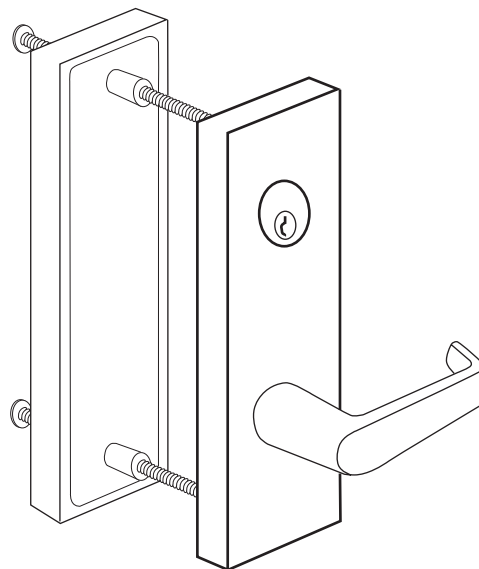
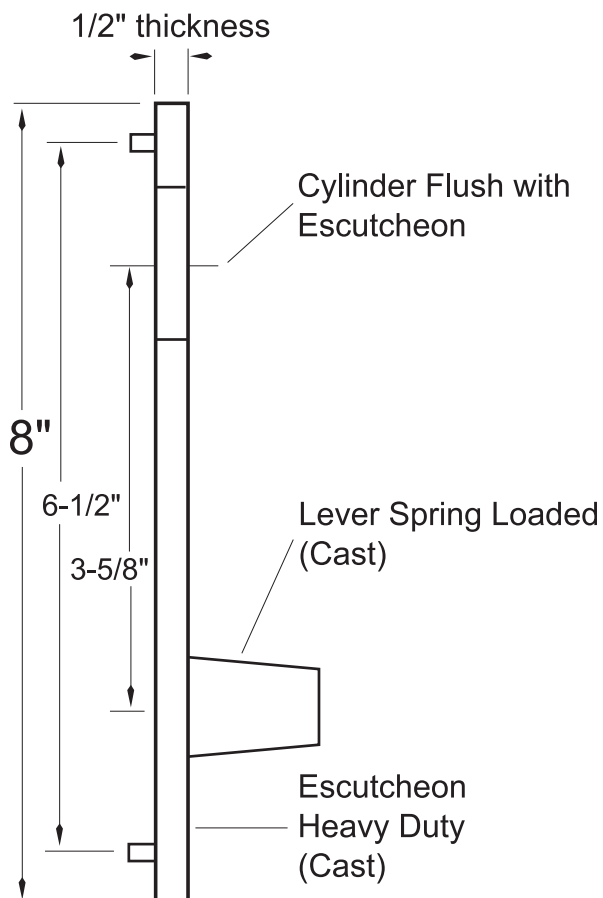


ADA Compliance Kit

- Easy to install, simply remove the old knob and trim and install kit on door
- Superior engineering
- ADA Kit provides you with the solution to ADA compliance with minimum modification
- 2 thru-bolts and instruction supplied
- FINISHES: 3, 4, 10, 10B, 15, 26, 26D



**Adaptable to virtually all
mortise lock manufacturers
in North America**



Kit includes 2 escutcheons and levers

MORTISE CYLINDERS

300 Cylindrical Lock Cylinder

- Solid Brass Body
- FINISHES: 3, 4, 10, 10B, 26D



951 Mortise Cylinder

- Solid Brass Body
- Available in 1-1/8", 1-1/4", 1-1/2" lengths
- Supplied less 4058 Compression Ring
- FINISHES: 3, 4, 10, 10B, 26D



956 Rim Cylinder

- Solid Brass Body
- Supplied less #44 Compression Ring
- FINISHES: 3, 4, 10, 10B, 26D

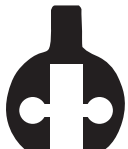


26 Lockwood keyways and Schlage "C" keyway available

Cams



L-4002
Standard Cam



L4002-2
Adams-Rite Cam



5044 Cam



S475
Cloverleaf Cam

Key Blanks

- Standard 6 - Pin 1004A Key Blanks Nickel Plated
- Sectional Key Blanks available in Nickel Silver or Brass



RINGS

4058 Spring Loaded Compression Ring

- For Mortise Cylinder
- FINISHES: 3, 4, 10, 10B, 26D



44 Collar Ring

- For Rim Cylinder
- FINISHES: 3, 4, 10, 10B, 26D



47 Collar Ring

- For Mortise Cylinder
- FINISHES: 3, 4, 10, 10B, 26D



48 Aluminum Collar

- 0.130" high for Cylinder



49 Aluminum Collar

- 0.283" high for Cylinder



2200

MORTISE CYLINDER TUBULAR DEADBOLT SERIES

- Easy to install and superior engineering
- Fits in a standard 160 or 161 Cutout 2-1/8" hole
- Standard Front: 2-1/4" x 1" for 2-3/8" BS
2-1/4" x 1-1/8" for 2-3/4" BS
- Standard Strike: 2-3/4" x 1-1/8" for 2-3/8" BS
and 2-3/4" BS
- Cylinder Standard: 951 x 1-1/8" x AR Cam x
1004A x KD



MODEL NO.	FUNCTION
2225	Single Cylinder x Turn Knob x 2-3/4"BS
2227	Double Cylinder x 2-3/4"BS
2229	Single Cylinder x Turn Knob x 2-3/8"BS
2230	Double Cylinder x 2-3/8"BS

2300

SINGLE CYLINDER HEAVY DUTY DEADBOLT

- Easy to install
- Superior engineering
- Fits in a standard 160 or 161 Cutout 2-1/8" hole
- Adjustable latch for 2-3/8" or 2-3/4" backset
- Solid Brass Cylinder
- Available in 26 Lockwood keyways and
Schlage "C" keyway
- Variety of Finishes available



2350

DOUBLE CYLINDER HEAVY DUTY DEADBOLT

- Easy to install
- Superior engineering
- Fits in a standard 160 or 161 Cutout 2-1/8" hole
- Adjustable latch for 2-3/8" or 2-3/4" backset
- Solid Brass Cylinder
- Available in 26 Lockwood keyways and
Schlage "C" keyway
- Variety of Finishes available



1084

HEAVY DUTY AUXILIARY LOCK KNOB LATCH SERIES

- Easy to install and superior engineering
- Case: Cast Iron, 2-3/8" x 3-1/2" x 11/16"
- Front: Bronze, 4-1/2" x 1-1/8"
- Hand: Reversible
- Bolt: 1/2" throw, easy spring
- Strike: Bronze, Type 7, lip 1-5/16" to center
- Operation: Latchbolt by knob from either side
- Backset: 2-3/4" and 3"
- Hub: Bronze, for 5/16" spindle



Brass turnknob available



EXIT DEVICES

CLOSERS

LOCKS

37

A2214

HEAVY DUTY AUXILIARY LOCK DEADBOLT SERIES

- Easy to install and superior engineering
- For doors 1-3/8" to 1-3/4" thick
- Case: Cast Iron, 2-1/2" x 3-3/8" x 13/16"
- Front: Brass, armored, 4-1/8" x 1-1/16", flat
- Hand: Reversible*
- Bolt: Brass 11/16" throw
- Backset: 2-3/4"
- Turnknob: Brass
- Cylinder: Brass, 6 pin tumbler with two keys
- Can be masterkeyed with other Lockwood locks
- Can be keyed alike (add symbol KA)
- * Except A2214 7/8 must specify hand

MODEL NO.	DESCRIPTION
A2214	Single cylinder by key outside only
A2214 1/2	Single cylinder by key outside x turn knob inside
A2214 3/4	Double cylinder by key both sides
A2214 7/8	Classroom function, single cylinder by key outside, but special turn knob inside can only retract the deadbolt, not project it. (Specify handing)



HINGES

FLAT GOODS

MISCELLANEOUS